



Model 2-120H/M01

Series 2000



Model 2-200H

Modern technology in a compact design

Series 2000 dispenser

New compact design.

Stepper motor driven.

Microprocessor.

Function keys.

Built in control panel.

Aut. speed control.

EME series 2000 dispensers are based on the latest technology and built into a compact design that requires only little space.

The modern and advanced microprocessor control is integrated into the dispenser housing, with no external connection cables, emphasizing the sensible and modern construction.

The stepper motor with micro step driver, gives accurate labelling with an almost silent performance.

The operator keypad with its illuminated display, is an integral part of the dispenser and gives the operator easy access to all the smart functions and controls.

The internal memory allows storage of all settings for each type of label, reducing start up and change over time.

The intelligent processor with optional encoder, can vary the speed of the Series 2000, to follow the speed variations of products and packing machines.

Series 2000 dispensers are available in right or left hand versions and in 120mm and 200mm label width.

Series 2000 options includes:
 -Hot Foil Coder.
 -Thermo/transfer print system.
 -Remote mounted keypad.
 -Tacho/Encoder control.
 -Sensor for transparent labels.
 -Warning signals.
 and more.



Specifications and accessories:

Model 2-120

Model 2-200

| | | |
|--------------------------------|------------|------------|
| Label web width, maximum: | 120mm. | 200mm. |
| Label web width, minimum: | 20mm. | 20mm. |
| Label length, maximum: | 250mm. | 250mm. |
| Label length, minimum: | 20mm. | 20mm. |
| Variable speed: | 0-35m/min. | 0-30m/min. |
| Number of labels per. minute: | 300 | 300 |
| Label roll diameter, maximum: | Ø270mm. | Ø270mm. |
| Label roll core, minimum: | 40mm. | 40mm. |
| Stepper motor with microstep: | Yes | Yes |
| Microprocessor with keyboard: | Yes | Yes |
| Illuminated display: | Yes | Yes |
| Password protection: | Yes | Yes |
| Internal memory capacity: | 45 | 45 |
| Signal for product separator. | Yes | Yes |
| Tacho/Encoder control. | Yes | Yes |
| External interface signal I/O. | Yes | Yes |

Accessories for all models:

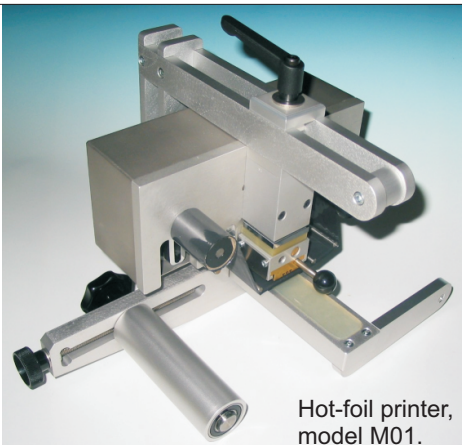
- Separate remote keypad.
- Motorized label roll unwind.
- Sensor for transparent labels.

- Moveable dispenser beak.
- Pre-warning for empty label roll.
- Print system.

Specifications:

Print area:
12x30/30x12mm.

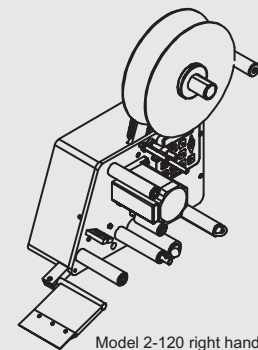
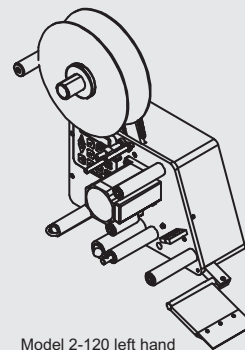
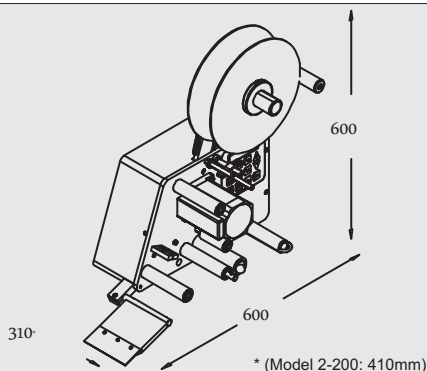
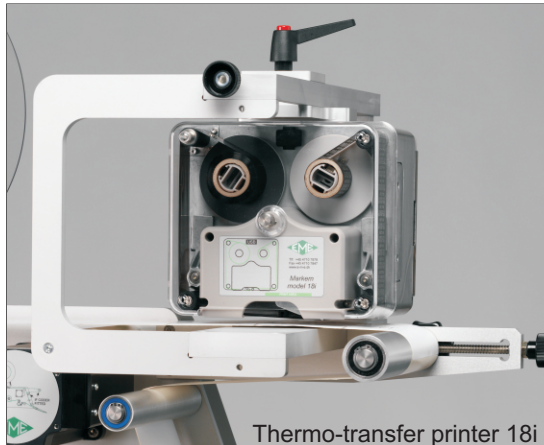
2 models:
Right hand or
left hand model.



Specifications:

Print area:
32x40/40x32mm.

200dpi printer
controlled by
hand terminal
with memory.



Power:
230VAC 50/60 Hz.
Consumption: 250 W

Weight:
Model 2-120: 16kg.
Model 2-200: 18kg.

Distributor:

www.packsys.be

